

BI95 • 14" Crescent Ice Maker • ADA Series

FEATURES & BENEFITS



BLACK
SOLID



WHITE
SOLID

PERFORMANCE	<ul style="list-style-type: none"> • Uses less than 3 gallons of water to produce up to 23 lbs of ice per day • Up to 12 lbs in ice storage capacity • Daily ice production rate is approx. 4 times greater than the average household refrigerator • Crescent ice cube dimensions: 1/2" W x 3/4" H x 2 1/4" L • On/Off switch is conveniently located on the grille
INTERIOR/EXTERIOR	<ul style="list-style-type: none"> • No drain required • Door swing is field reversible, and is shipped right-hand hinged
INTEGRATION	<ul style="list-style-type: none"> • Unit is designed to be built-in or can be freestanding • Accepts a 1/4" custom insert panel • Available in the following finishes: Black or White

MODEL DETAILS

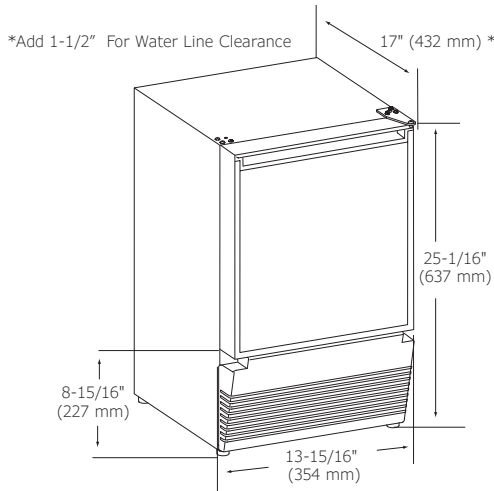
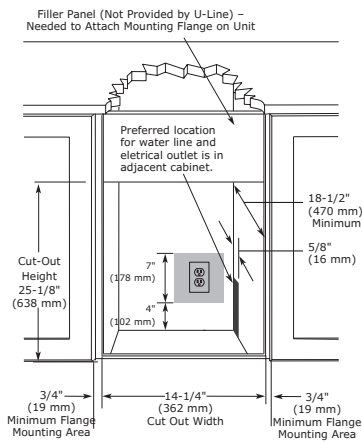
Model	Voltage/Hz	Door Swing	Finish	Shipping Weight
U-BI95B-00A	115 / 60	Field Reversible	Black Solid	59 lb
U-BI95W-00A	115 / 60	Field Reversible	White Solid	59 lb

ACCESSORIES

Model	Description	Finish	Shipping Weight
80-54674-00	Braided water supply line kit	N/A	2 lb

ADA Series • 14" Crescent Ice Maker • BI95
DIMENSIONS

Dimensions shown apply to all finishes.


CABINET CUT-OUT

INSTALLATION NOTES

No additional clearance around sides, top or rear of unit is needed for ventilation.

Do not obstruct front grille air flow.

SPECIFICATIONS

Model	BI95
Amps: Running	2.5
Control Type	On/Off Switch
Defrost Type	Manual
Dimensions: Product Depth	17" / 432 mm
Dimensions: Product Height	25 1/16" / 637 mm
Dimensions: Product Width	13 15/16" / 354 mm
Energy Consumption: Avg. Per Year	N/A
Panel Type	Insert
Panel Thickness	1/4" (6.3 mm)
Panel Height	13 15/32" (342 mm)
Panel Width	12 15/16" (329 mm)
ENERGY STAR	N/A
Ice Production Per Day	23 lb
Ice Storage	12 lb
Product Weight: Max	53 lb
Refrigerant Type	R134a
Sabbath (Star K Certified)	No

ELECTRICAL REQUIREMENTS

This unit requires a grounded, polarized 115 VAC, 60 Hz, 15 A power supply (normal household current).



Warranty

Please visit u-line.com to view this model's User Guide & Service Manual. All Specifications are subject to change without notice.