

ADA15IM • 15" Crescent Ice Maker • ADA Series

FEATURES & BENEFITS



STAINLESS SOLID



BLACK SOLID

PERFORMANCE	<ul style="list-style-type: none"> • Uses less than 3 gallons of water to produce up to 25 lbs of ice per day • Up to 25 lbs in ice storage capacity • Daily ice production rate is approx. 4 times greater than the average household refrigerator • Crescent ice cube dimensions: 1/2" W x 3/4" H x 2 1/4" L • On/Off switch is conveniently located on lower face of unit
INTERIOR/EXTERIOR	<ul style="list-style-type: none"> • No drain required • Standard commercial stainless steel handle is interchangeable with professional handle accessory • Door swing is field reversible
INTEGRATION	<ul style="list-style-type: none"> • Unit is designed to be built-in or can be freestanding • Four independently adjustable leveling legs provide a precise undercounter fit • Available in the following finishes: Stainless or Black

MODEL DETAILS

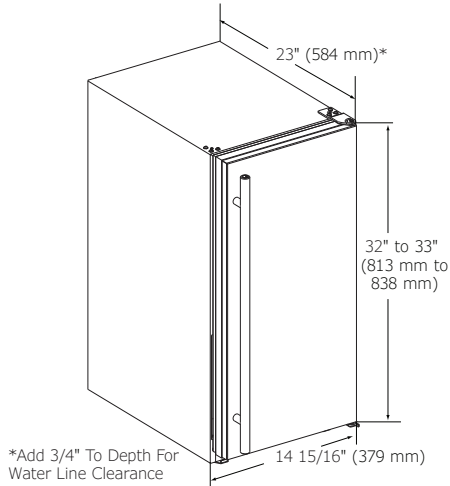
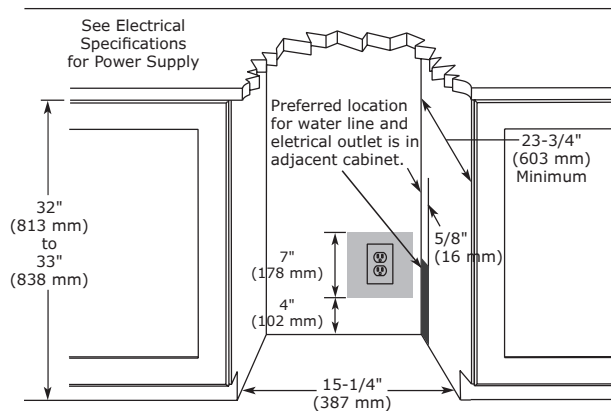
Model	Voltage/Hz	Door Swing	Finish	Shipping Weight
U-ADA15IMS-00B	115 / 60	Field Reversible	Stainless Solid	90 lb
U-ADA15IMB-00B	115 / 60	Field Reversible	Black Solid	90 lb

ACCESSORIES

Model	Description	Finish	Shipping Weight
80-54247-00	Professional Door Handle, 1 1/4" Diameter	Stainless	2 lb
80-54214-00	Commercial Door Handle, 7/8" Diameter	Stainless	2 lb
80-54674-00	Braided water supply line kit	N/A	2 lb

ADA Series • 15" Crescent Ice Maker • ADA15IM
DIMENSIONS

Dimensions shown apply to all finishes.


CABINET CUT-OUT

INSTALLATION NOTES

When installing adjacent to wall, ensure 2 1/2" clearance on hinged side for 90° door opening, allowing ample room for door handle.

No additional clearance around sides, top or rear of unit is needed for ventilation.

Do not obstruct front grille air flow.

SPECIFICATIONS

Model	ADA15IM
Amps: Running	2.5
Control Type	On/Off Switch
Defrost Type	Manual
Dimensions: Product Depth	23" / 584 mm
Dimensions: Product Height	32" / 813 mm
Dimensions: Product Width	14 15/16" / 379 mm
ENERGY STAR	N/A
Ice Production Per Day	25 lb
Ice Storage	25 lb
Product Weight: Max	84 lb
Refrigerant Type	R134a
Sabbath (Star K Certified)	No

ELECTRICAL REQUIREMENTS

This unit requires a grounded, polarized 115 VAC, 60 Hz, 15 A power supply (normal household current).



Please visit U-Line.com to view this model's User Guide. All specifications are subject to change without notice.